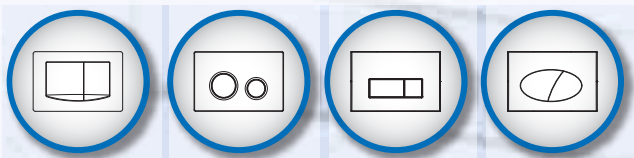


NOVATEC

Innovative Bathroom Solutions

CONCEALED FLUSHING CISTERNS

2019



SANIEURO SDN BHD (661733-V)

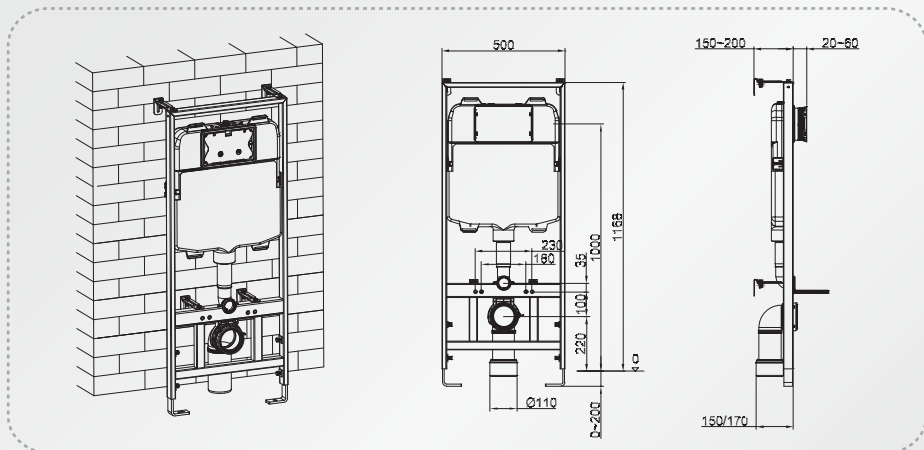
B-LG-2, Connaught Avenue, Jalan 9, Taman Bukit Cheras, 56000 Kuala Lumpur, Malaysia.

Tel: (+603) 9108 2199 Fax: (+603) 9108 3199

www.sanieuro.com

MECHANICAL SLIM CONCEALED FLUSHING CISTERN

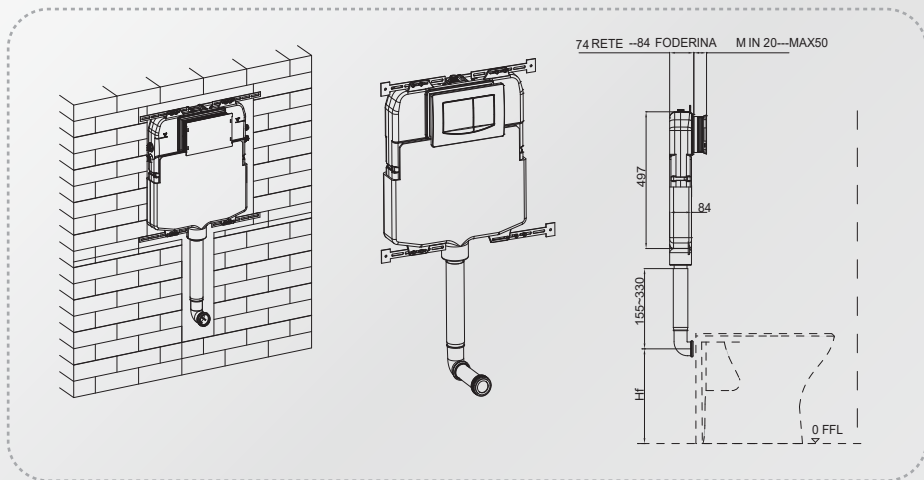
NV701 Universal Frame for Wall-hung WC for front operation :



For wall-hung WC

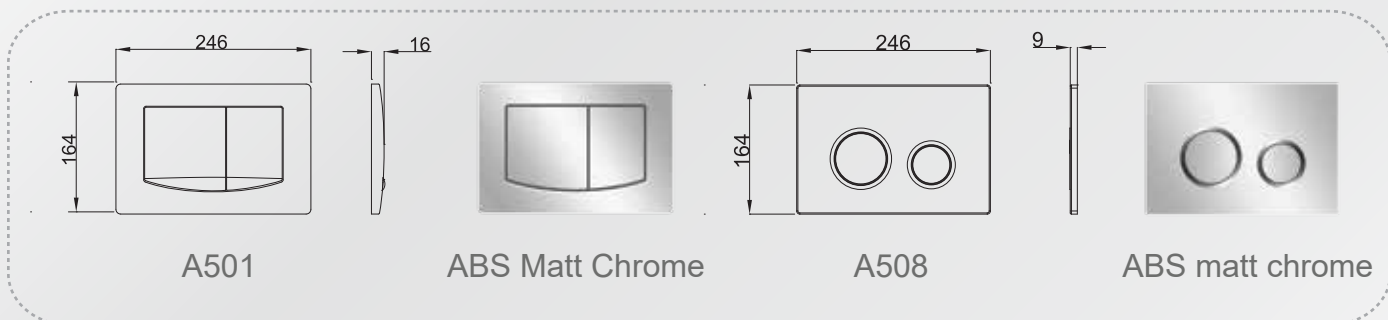
Thickness of cistern 90mm, height 1160mm
 Adjustable dual flush valve: 3/4.5L, 3/6L, 4/7L
 Water supply connection R 1/2"
 HDPE outlet bend

NV703 Universal Concealed Cistern for front operation :



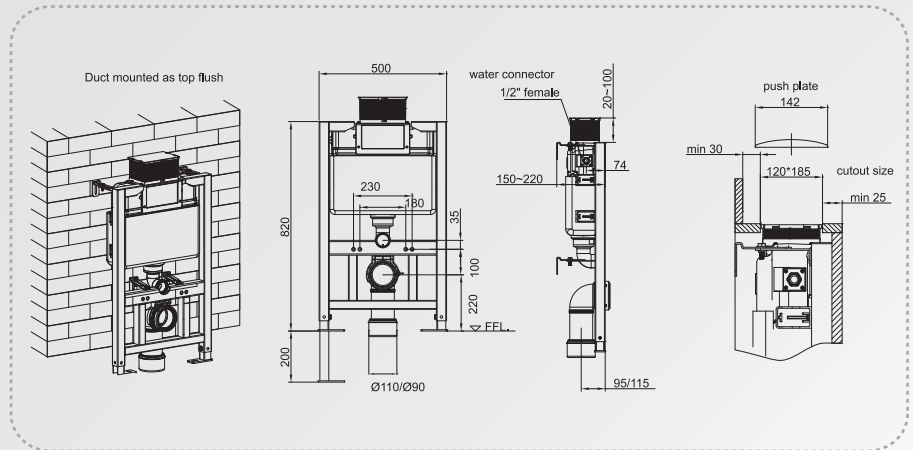
Concealed cistern for front operated

Thickness of cistern 84mm, height 1100mm
 Adjustable dual flush valve: 3/4.5L, 3/6L, 4/7L
 Water supply connection R 1/2"



PNEUMATIC CONCEALED FLUSHING CISTERN

NV720 Universal Frame for Wall-hung WC for front or top operation :



For wall-hung WC

Range option for front or top operated

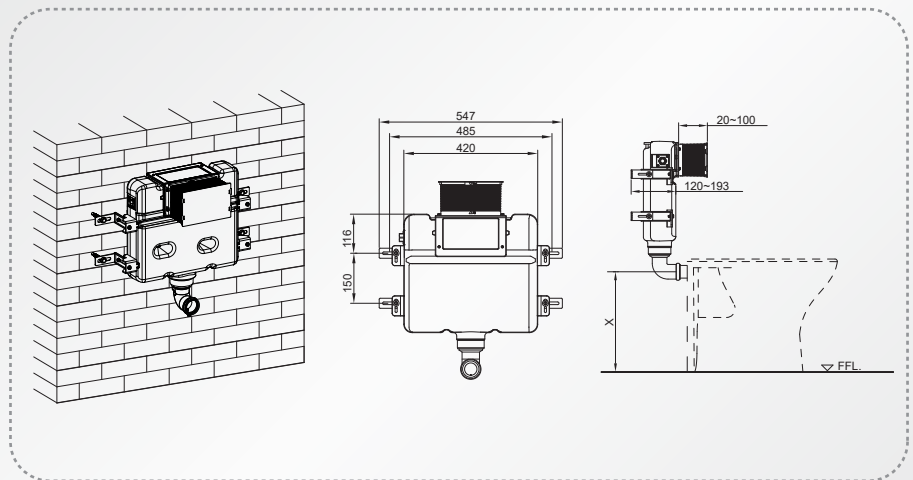
Thickness of cistern 150mm, height 820mm

Adjustable dual flush valve: 3/4.5L, 3/6L, 4/7L

Water supply connection R 1/2"

HDPE outlet bend

NV 722 Universal Concealed Cistern for front or top operation :

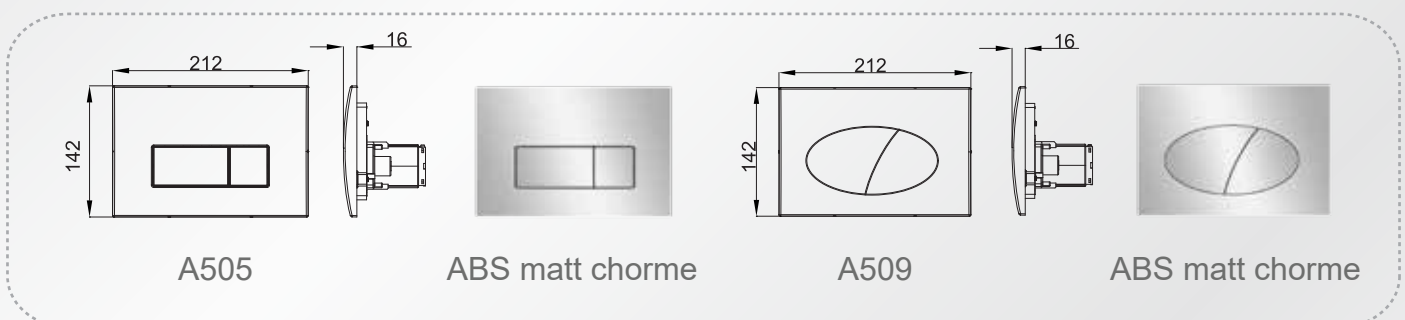


Concealed cistern for front or top operated

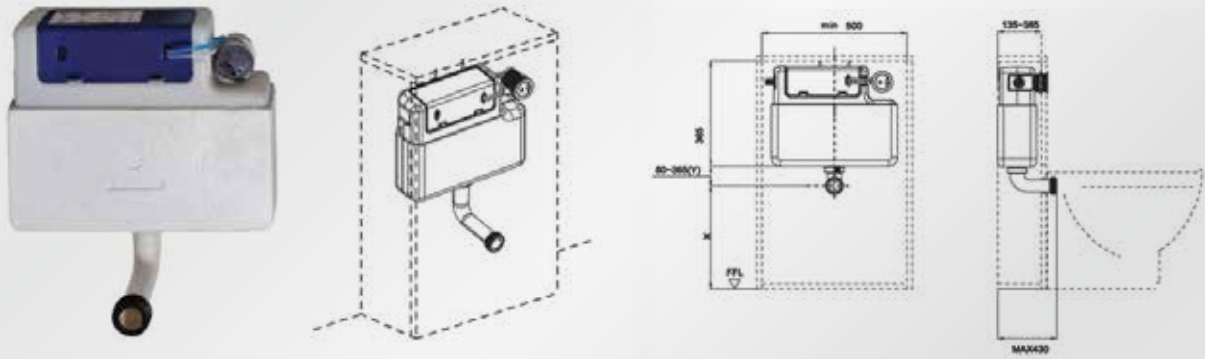
Thickness of cistern 120mm, height 820mm

Adjustable dual flush valve: 3/4.5L, 3/6L, 4/7L

Water supply connection R 1/2"



NV710 FOR FRONT OR TOP OPERATION



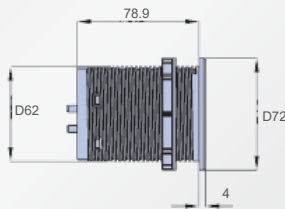
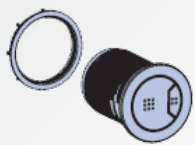
In-Vanity Concealed Cistern For Front or Top Operated

Thickness of cistern 120mm, height 790mm

Adjustable dual flush valve: 3/4.5L, 3/6L, 4/7L

HDPE cistern with HDPE outlet bend

A510

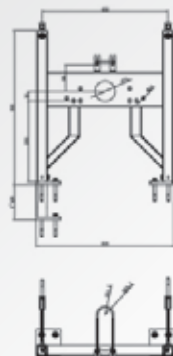
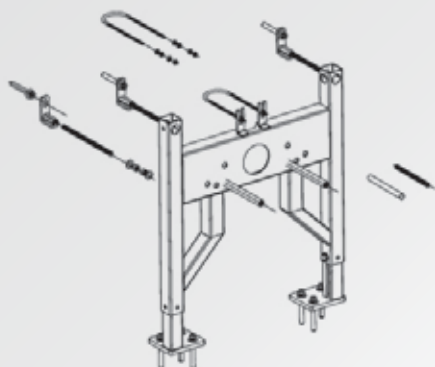


ABS-matt chrome



ABS-polished chrome

CHAIR BRACKET - Universal Attachment



NV747

Suit for EN standard wall hung WC pans
For S-trap connection